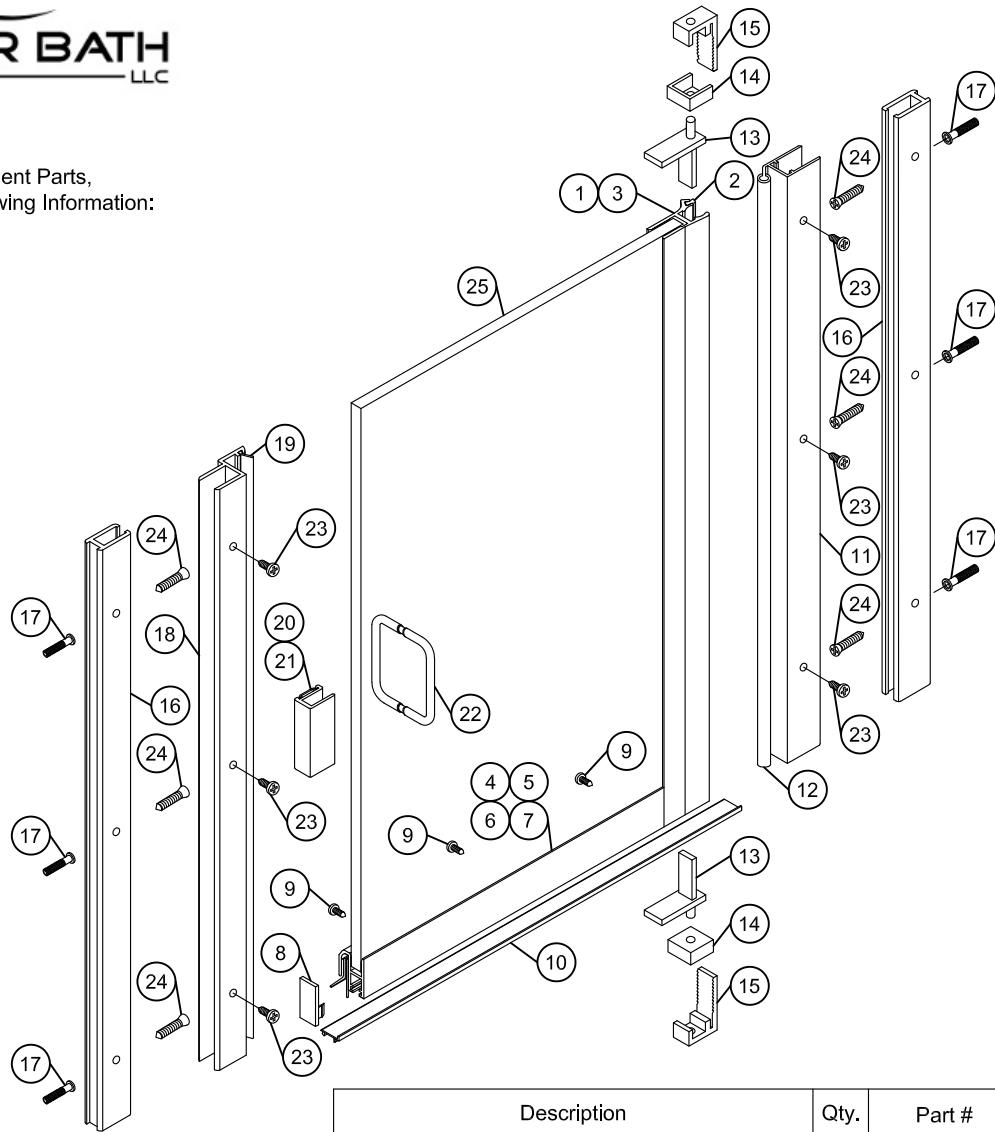


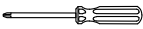


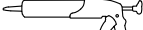



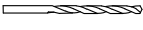




WHITE RIVER BATH LLC

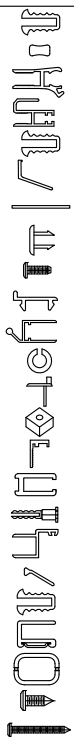
When Ordering Replacement Parts,
Please Provide The Following Information:

1. Model Number
2. Part Number
3. Part Description
4. Color

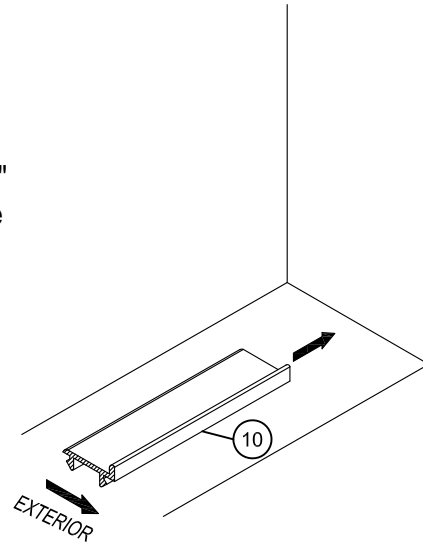


For assembly you will need:

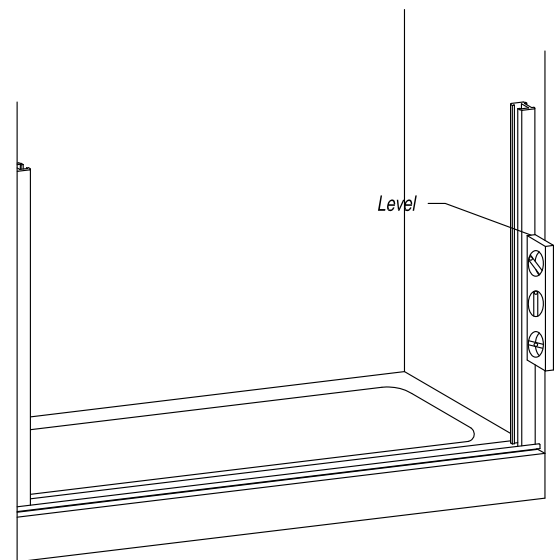
- | | |
|---|---|
| 1. Phillips Screwdriver |  |
| 2. 1/4" Box End Wrench |  |
| 3. Hack Saw |  |
| 4. Silicone |  |
| 5. Rubber Mallet |  |
| 6. 3/16" Carbide Drill Bit (for tile walls) |  |
| 7. #31 Drill Bit |  |
| 8. Level |  |
| 9. Pencil |  |
| 10. Masking Tape |  |
| 11. Tape Measure |  |
| 12. Safety Glasses |  |

Description	Qty.	Part #	Picture
1. Hinge Rail Vinyl	1	925	
2. Hinge Rail Seal	1	955	
3. Hinge Rail	1	2503	
4. Bottom Rail	1	1002	
5. Bottom Rail Vinyl	1	ZV901/ZV903	
6. Drip Rail	1	2008	
7. Vinyl Sweep	1	ZV904A	
8. Bottom Rail End Cap	1	ZV940	
9. #6 x 1/4" SMS B Screws	3	#6SMS14	
10. Bottom Sill	1	1102	
11. Hinge Jamb	1	2505	
12. Hinge Jamb Sleeve	1	950	
13. Hinge Pins	2	ZV945	
14. Hinge Bushings	2	ZD1013	
15. Hinge Clips	2	ZD1009	
16. Wall Channel	2	1006	
17. Wall Anchors	6	Anchor	
18. Strike Jamb	1	1004	
19. Strike Jamb Vinyl	2	908E	
20. Magnetic Catch Vinyl	1	ZV914	
21. Magnetic Catch	2	MAG4012	
22. Door Handle Assembly	1	BTB 6"PULL	
23. #6 X 3/8" SMS Screws	6	#6SMS38	
24. #8 X 1 1/4" Phil Pan	6	#8PhilPan	
25. Glass Panel	1	SDPAN	

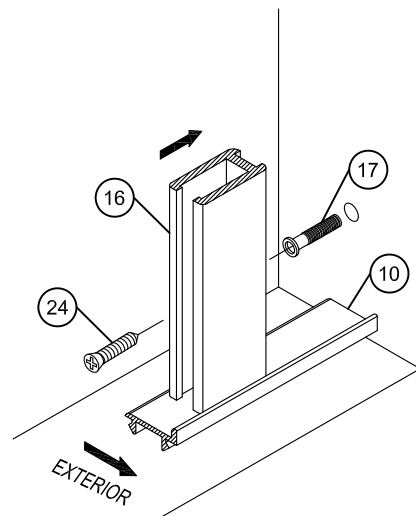
1. Measure your opening and cut Sill (#10) 1/16"- 1/8" short of opening. place center line on curb and tape to hold in place.



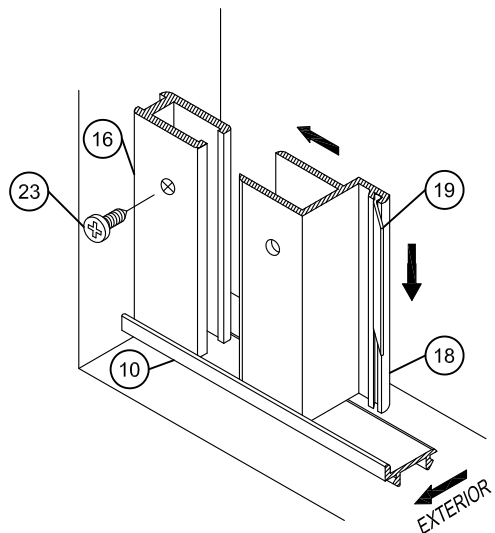
2. Place wall jambs (#16) on top off Sill, Use a level to find plum and mark your holes with a pencil.



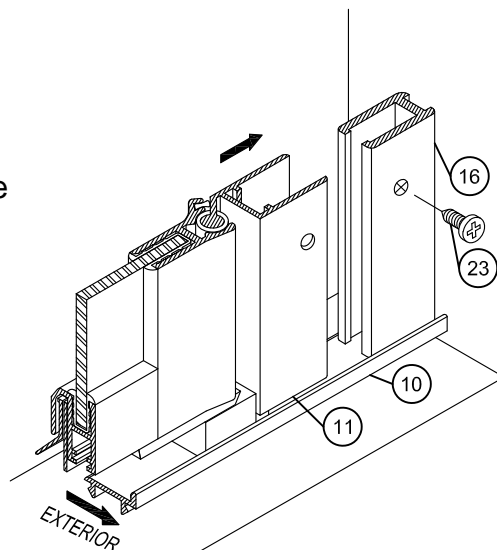
3. Drill three, 3/16" holes in previously marked walls. (use a carbide bit for granite or tile) Insert wall anchors (#17) and screw wall jambs to walls using #6 3/8 SMS Screw (#24)



4. Place strike jamb (#18) over wall channel and press firmly in place, Do not screw in to allow for adjustment.



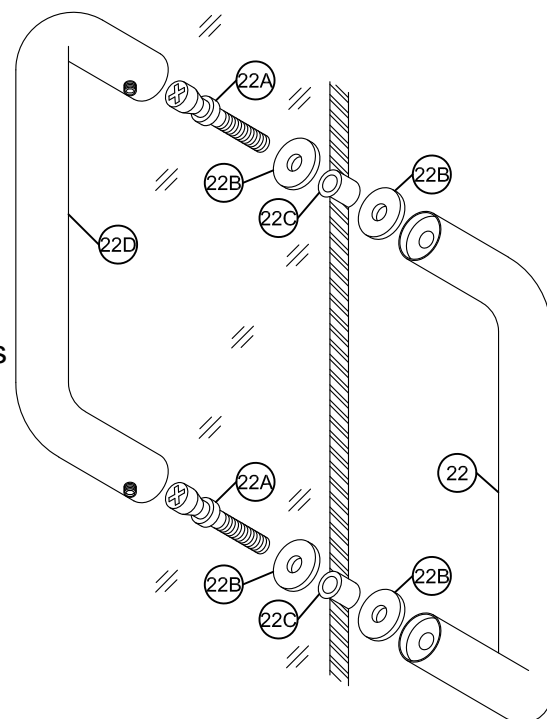
5. Place Hinge Rail (#3) over wall channel and press firmly in place. Shut door and adjust both Hinge Rail and Strike Jamb so you have a plum and level fit. You want to allow for a 3/16"-1/4" gap between the edge of the glass and the Strike Jam. Once you have achieved your reveal screw Strike Jamb and Hinge Rail in place using the #6 X 3/8 SMS Screws (#23)



6. To install BTB 6" Pull Handle (#22) place Large Set Screws (#22A) through glass using Washers (#22B) and 1/4" Grommet (#22C) as shown in diagram. Screw Large Set Screws into BTB 6" Pull Part-A (#22A) hand tighten and then give it 1/8" turn so that the handle is firmly in place.

Take BTB 6" Pull Part-B (#22B) and place over Large Set Screws till it rest firmly against the glass. Use included Allen Wrench to tighten Small Set Screws till handle if firmly in place.

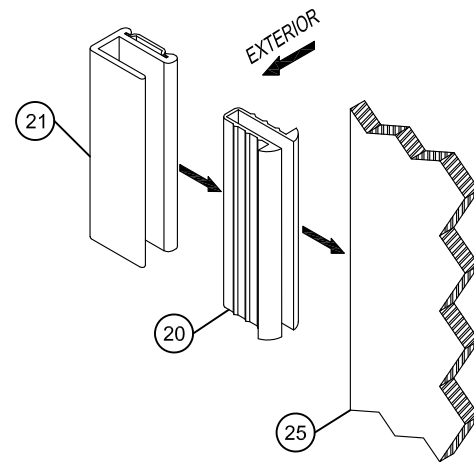
NOTE: Be sure not to over tighten set screws as it may crack Washers.



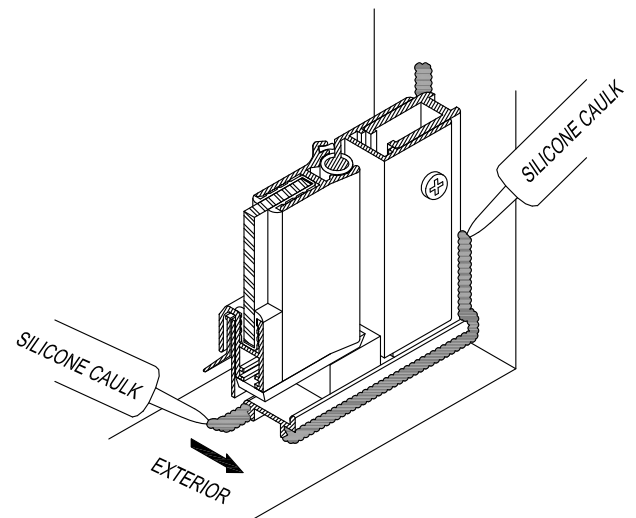
Description	Qty.	Part #	Picture
22. BTB 6" Pull Part-A	1	BTB6IN-A	
22A. Large Set Screws	2	SetsLG	
22B. Washer	2	BTBWash	
22C. 1/4" Grommet	2	.25Grom	
22D. BTB 6" Pull Part-B	1	BTB6IN-B	

7. To install Catch (#21) place Catch Vinyl (#20) over glass and align with Magnet on Strike Jamb. once you have aligned place the Magnetic Catch over Catch Vinyl and tap in place using rubber mallet.

NOTE: For easier install spray Catch Vinyl with Window Cleaner before you apply the Catch.



8. Silicone inside and out of shower door.



Overhead view of finished install.

- 9.

